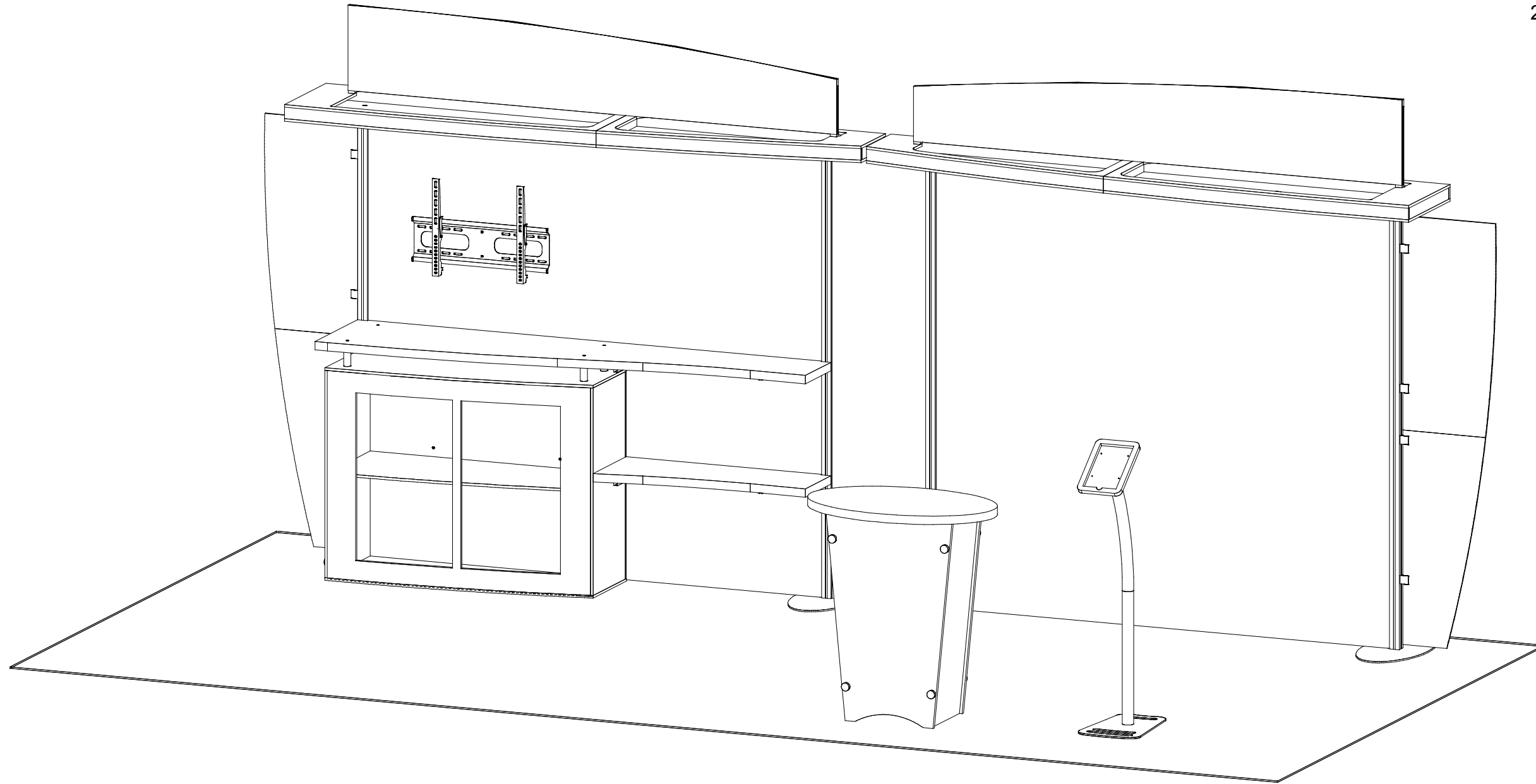
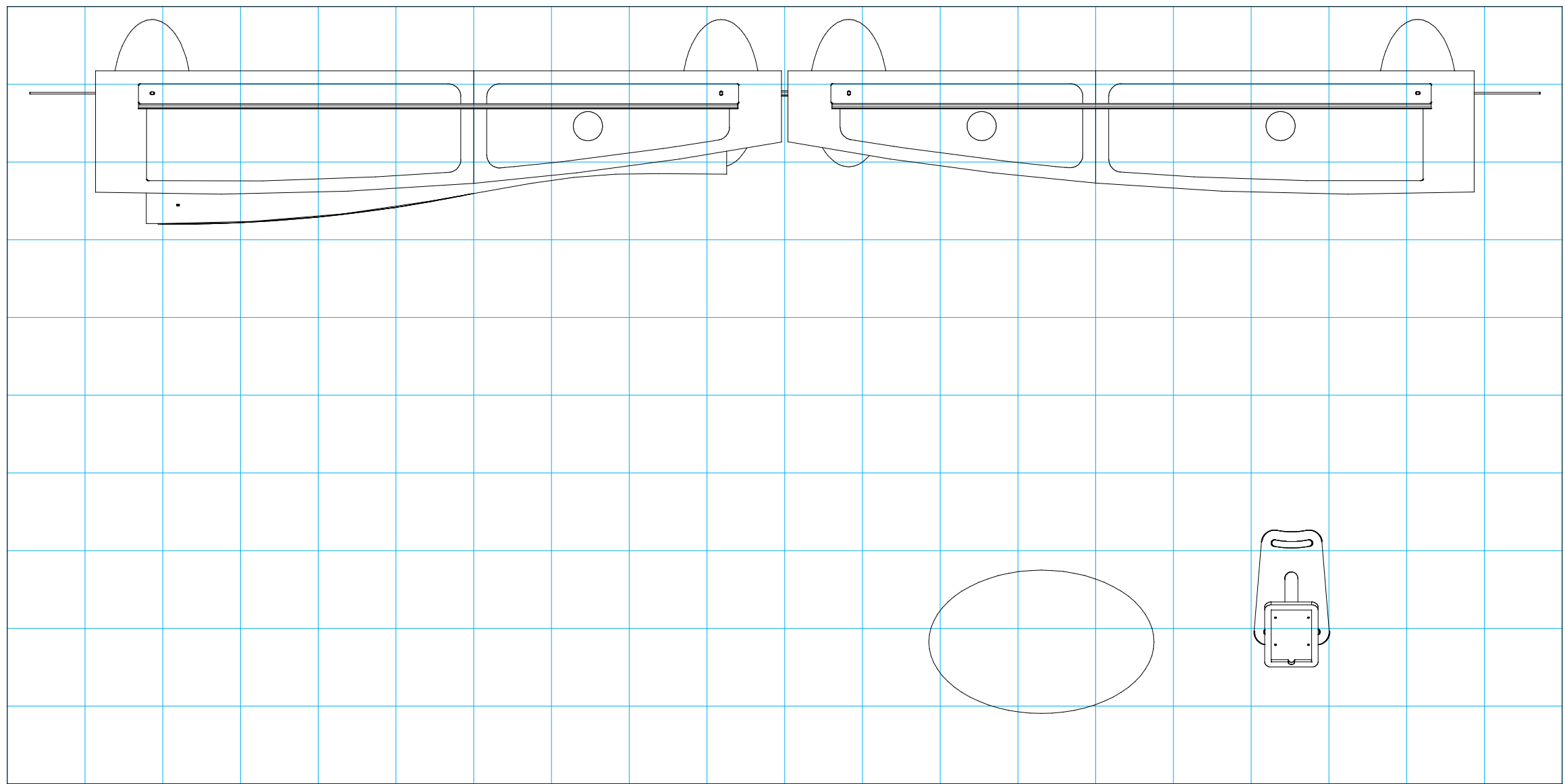



20'

10'
Plan View



SETUP INSTRUCTIONS



 = 1 sq foot

General Setup Instructions

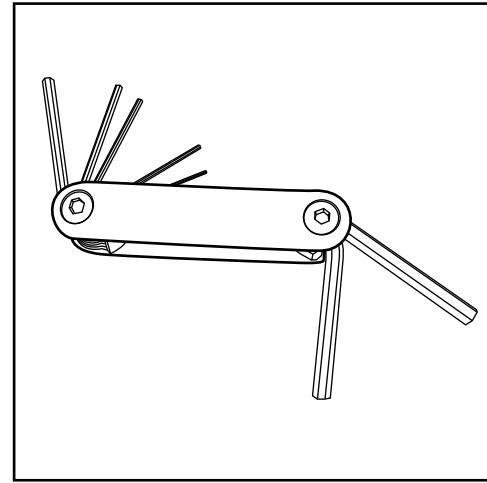
- Read entire setup instruction manual prior to unpacking parts and pieces.
- The setup instructions are created specifically for this configuration.
- Setup instructions are laid out sequentially in steps, including exploded views with detailed explanation for assembly.

Cleaning & Packing

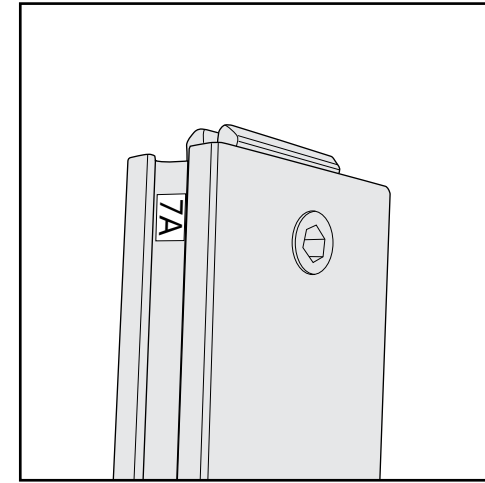
- For Cleaning Metal, Plex, & Laminate Parts: Use a **MILD NON-ABRASIVE** cleanser and soft cloth/paper towel to clean all surfaces.
- Keep exhibit components away from heat and prolonged sun exposure. **Heat and UV exposure will warp and fade components.**
- Retain all provided Packing Materials. All provided packing materials are for ease of repacking & component protection.

Disassembly

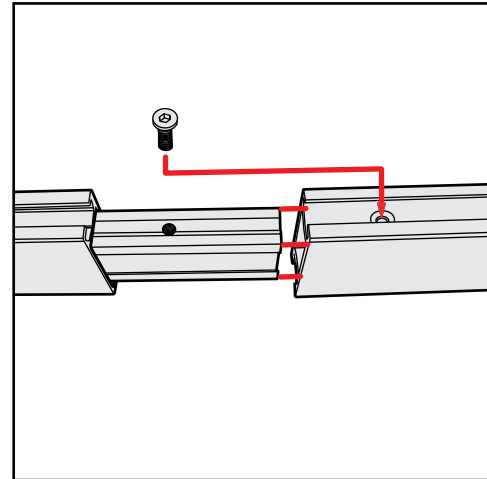
- For loss prevention, tighten all set screws and locks during disassembly.



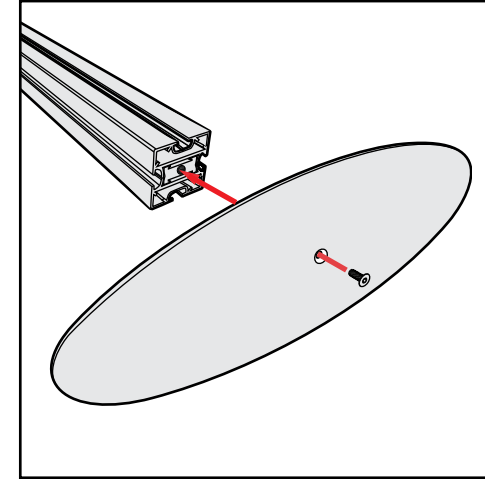
Hex Tool - Essential for Assembly



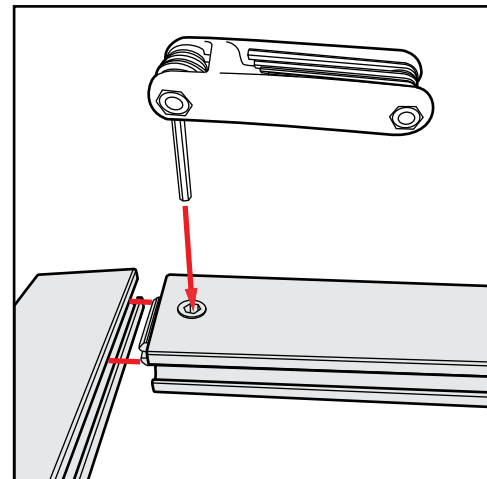
Part Identification - Numbering



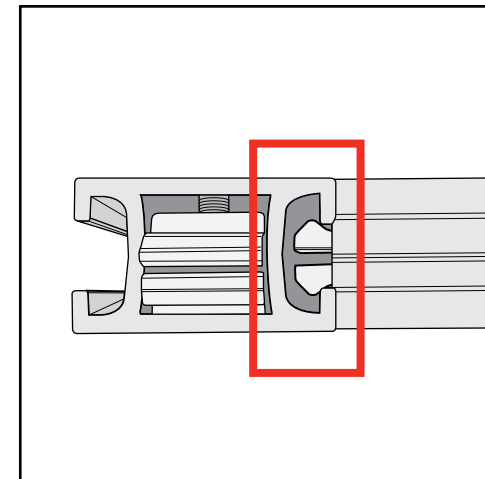
Spline Connection



Base Plate & Extrusion Connection



Extrusion & Lock Connection



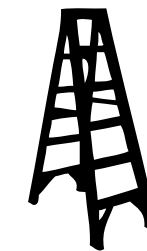
Engaged Lock



WARNING



DO NOT USE POWER TOOLS



LADDERS OR LIFTS
MAY BE REQUIRED

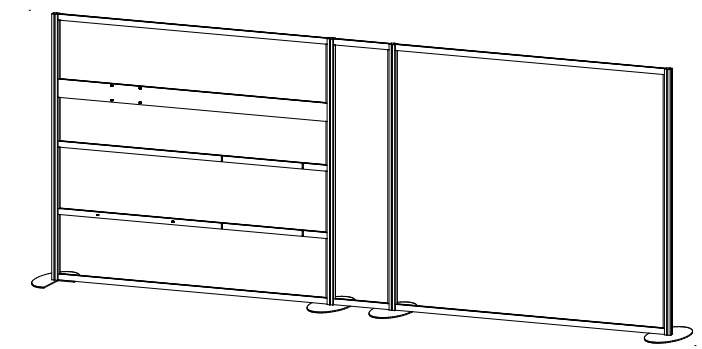


ALL CONNECTIONS MUST
BE TIGHTLY SECURED

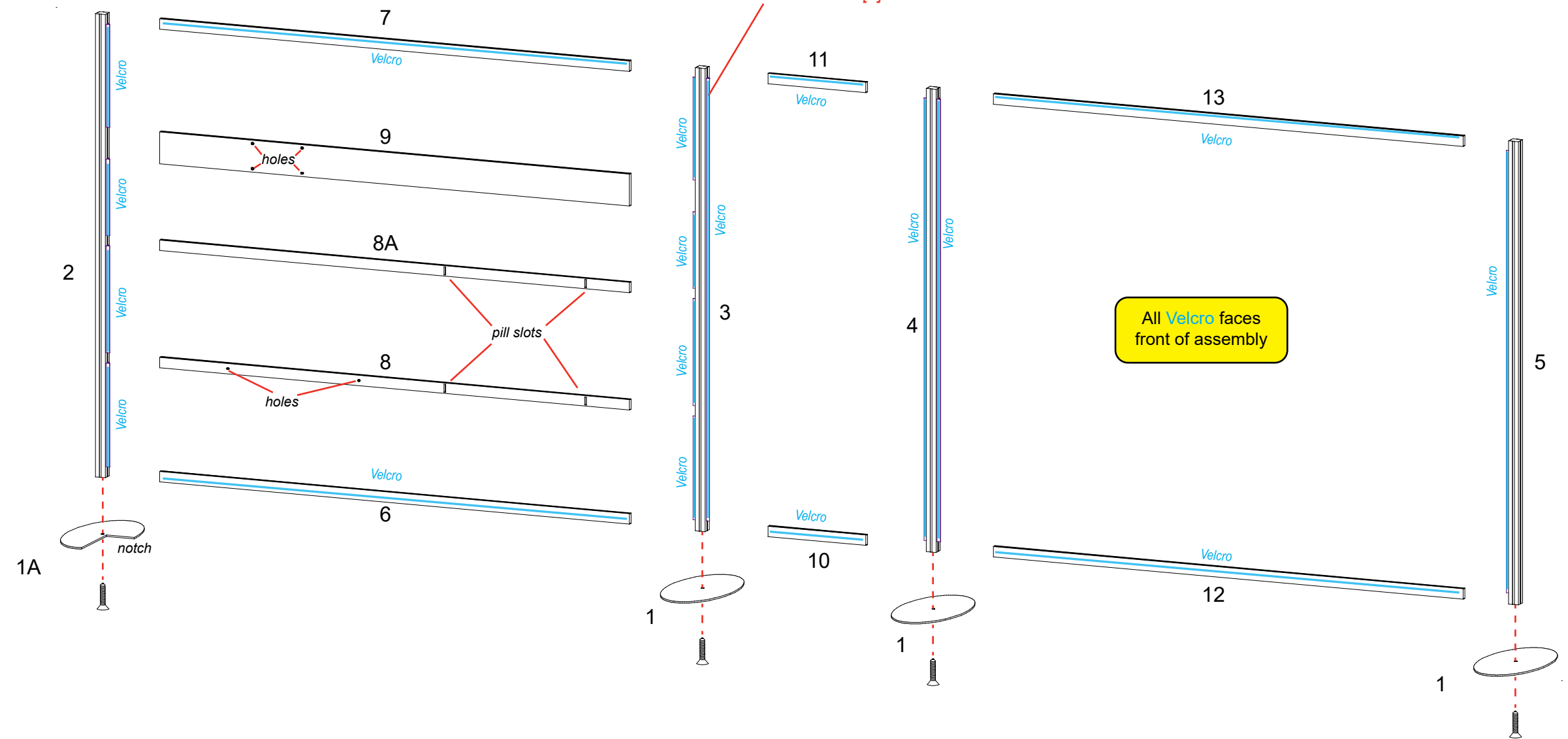
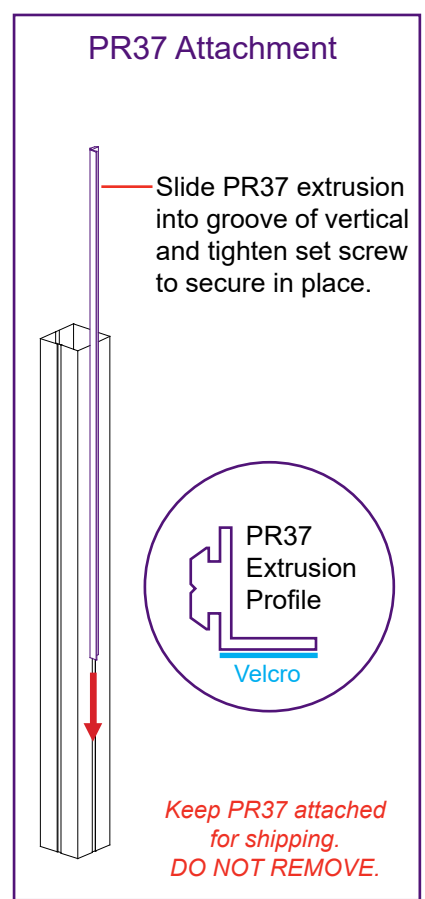
CRATE PACKING

| Item | Qty. | Description |
|------|------|-----------------------------------------------------|
| 1 | 3 | 12" x 22.75" SF1 Oval Base Plate |
| 1A | 1 | 12" x 22.75" SF1 Oval Base Plate w/ Notch |
| 2 | 1 | 80"h S44 Vertical Extrusion w/ PR37 & Velcro |
| 3 | 1 | 80"h S44 Vertical Extrusion w/ PR37 & Velcro |
| 4 | 1 | 80"h S44 Vertical Extrusion w/ PR37 & Velcro |
| 5 | 1 | 80"h S44 Vertical Extrusion w/ PR37 & Velcro |
| 6 | 1 | 86"w Z45 Horizontal Extrusion w/ Velcro |
| 7 | 1 | 86"w Z45 Horizontal Extrusion w/ Velcro |
| 8 | 1 | 86"w Z45 Horizontal Extrusion w/ holes & Pill slots |
| 8A | 1 | 86"w Z45 Horizontal Extrusion w/ Pill slots |
| 9 | 1 | 86"w Z140 Horizontal Extrusion |
| 10 | 1 | 17.910"w Z45 Horizontal Extrusion w/ Velcro |
| 11 | 1 | 17.910"w Z45 Horizontal Extrusion w/ Velcro |
| 12 | 1 | 86"w Z45 Horizontal Extrusion w/ Velcro |
| 13 | 1 | 86"w Z45 Horizontal Extrusion w/ Velcro |

- Steps:**
- 1) Attach Base Plates [1] & [1A] to bottom of verticals [2,3,4,5] using bolts.
 - 2) Assemble horizontals [6,7,8,8A,9] between verticals [2,3].
 - 3) Attach horizontals [10,11] between verticals [3,4].
 - 4) Connect horizontals [12,13] between verticals [4,5].
 - 5) Affix fabric graphics to front of backwall assembly using **Velcro**.



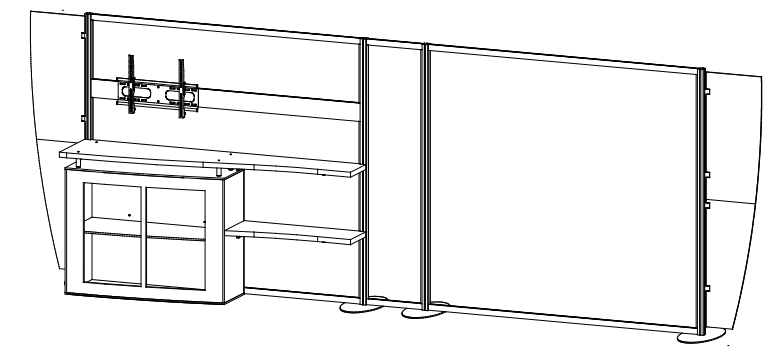
When assembled



FRONT VIEW

| Item | Qty. | Description |
|------|------|----------------------------------------|
| -- | 1 | Large Monitor Mount |
| -- | 1 | 48.806"w x 19.796"d x 38.018"h Cabinet |
| -- | 1 | 4" Standoff Barrel |
| -- | 4 | 38.946"w x 14.88"d Small Shelf |
| -- | 1 | 89.622"w x 19.656"d Large Shelf |
| -- | 4 | Wings |

- Steps:
- 1) Install Monitor Mount to horizontal [9]. See **Monitor Mount Attachment** detail.
 - 2) Attach Cabinet to horizontal [8] using bolts.
 - 3) Connect standoff barrels to T-Nuts on underside of Large Shelf, then attach standoff barrels to top of Cabinet using bolts.
 - 4) Lock extrusions on underside of Large Shelf to Pill Slots on horizontal [8A]. See **Pill Slot Attachment** detail.
 - 5) Connect extrusions on underside of Small Shelf to Pill Slots on horizontals [8]. See **Pill Slot Attachment** detail.
 - 6) Attach Wings to verticals [2] & [5] using A10 Clamps. See **Wing Attachment** detail.



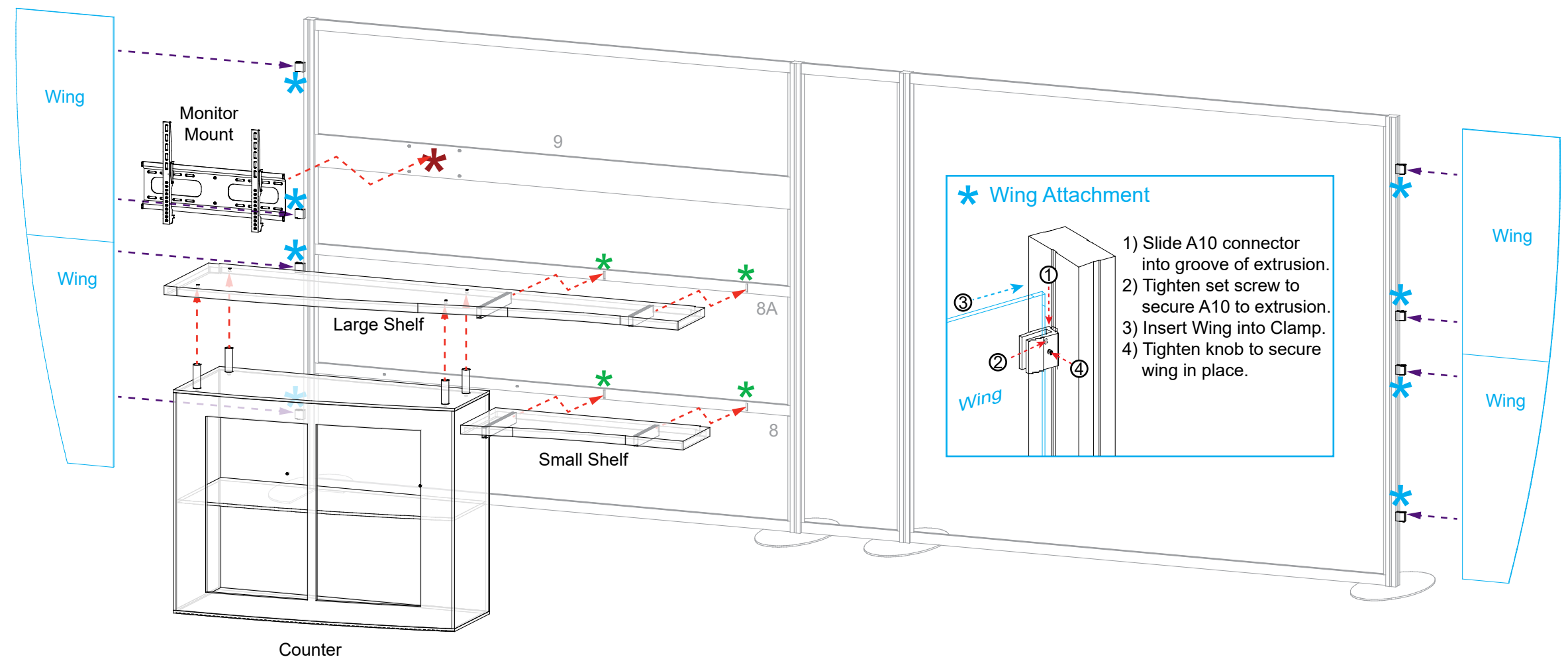
When assembled

*** Monitor Mount Attachment**
Attach Monitor Mount to horizontal extrusion using bolts & wing nuts.

Note: Monitor mount installs over SEG graphic.

*** Pill Slot Attachment**
Tighten screw to clamp cam lock into pill slot on horizontal extrusion.

Labels: Set Screw, Cam Lock, Top View.



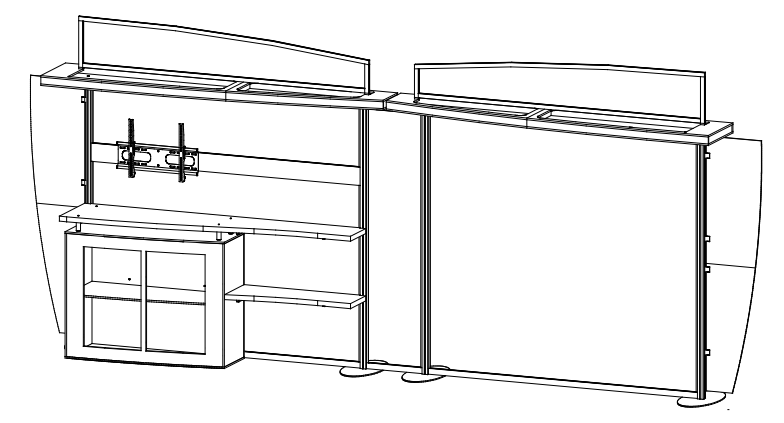
*** Wing Attachment**

- 1) Slide A10 connector into groove of extrusion.
- 2) Tighten set screw to secure A10 to extrusion.
- 3) Insert Wing into Clamp.
- 4) Tighten knob to secure wing in place.

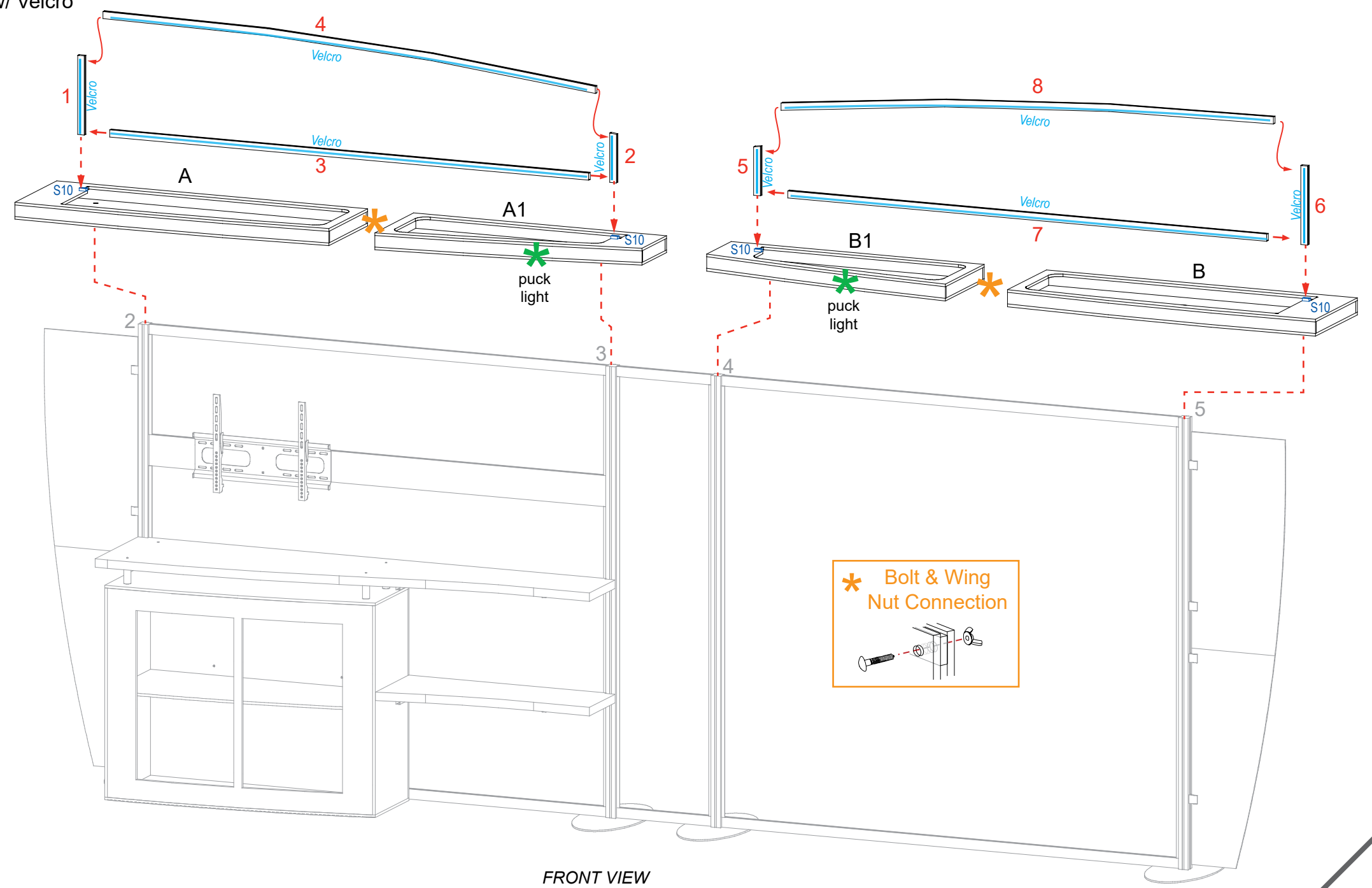
FRONT VIEW

| Item | Qty. | Description |
|------|------|-----------------------------------------------------------|
| A | 1 | 58.40"w x 19.054"d x 3"h Canopy Panel w/ S10 |
| A1 | 1 | 47.50"w x 17.358"d x 3"h Canopy Panel w/ S10 & Puck Light |
| B | 1 | 58.40"w x 19.054"d x 3"h Canopy Panel w/ S10 |
| B1 | 1 | 47.50"w x 17.358"d x 3"h Canopy Panel w/ S10 & Puck Light |
| 1 | 1 | 14"h Z33 Vertical Extrusion w/ Velcro |
| 2 | 1 | 8.581"h Z33 Vertical Extrusion w/ Velcro |
| 3 | 1 | 89.965"w Z33 Horizontal Extrusion w/ Velcro |
| 4 | 1 | 92.714"w Z33 curved Horizontal Extrusion w/ Velcro |
| 5 | 1 | 14"h Z33 Vertical Extrusion w/ Velcro |
| 6 | 1 | 8.581"h Z33 Vertical Extrusion w/ Velcro |
| 7 | 1 | 89.965"w Z33 Horizontal Extrusion w/ Velcro |
| 8 | 1 | 92.714"w Z33 curved Horizontal Extrusion w/ Velcro |

- Steps:
- 1) Assemble canopy panels [A-A1], [B-B1] together using **Bolt & Wing Nut Connection**.
 - 2) Connect canopy panels [A/A1] & [B/B1] to top of backwall verticals, using bolts.
 - 3) Assemble extrusions [1,2,3,4], [5,6,7,8] as shown, with **Velcro** facing front.
 - 4) Attach verticals [1,2] & [5,6] to S10 extrusions on top of canopy panels [A/A1] & [B/B1].
 - 5) Apply Fabric Graphics to Velcro on assemblies [1/2/3/4], [5/6/7/8].
 - 6) Connect power cords to puck lights in canopy panels. See **Puck Light Attachment** detail.



When assembled



*** Puck Light Connection**
Connect transformer to puck lights, then attach transformer to power source.

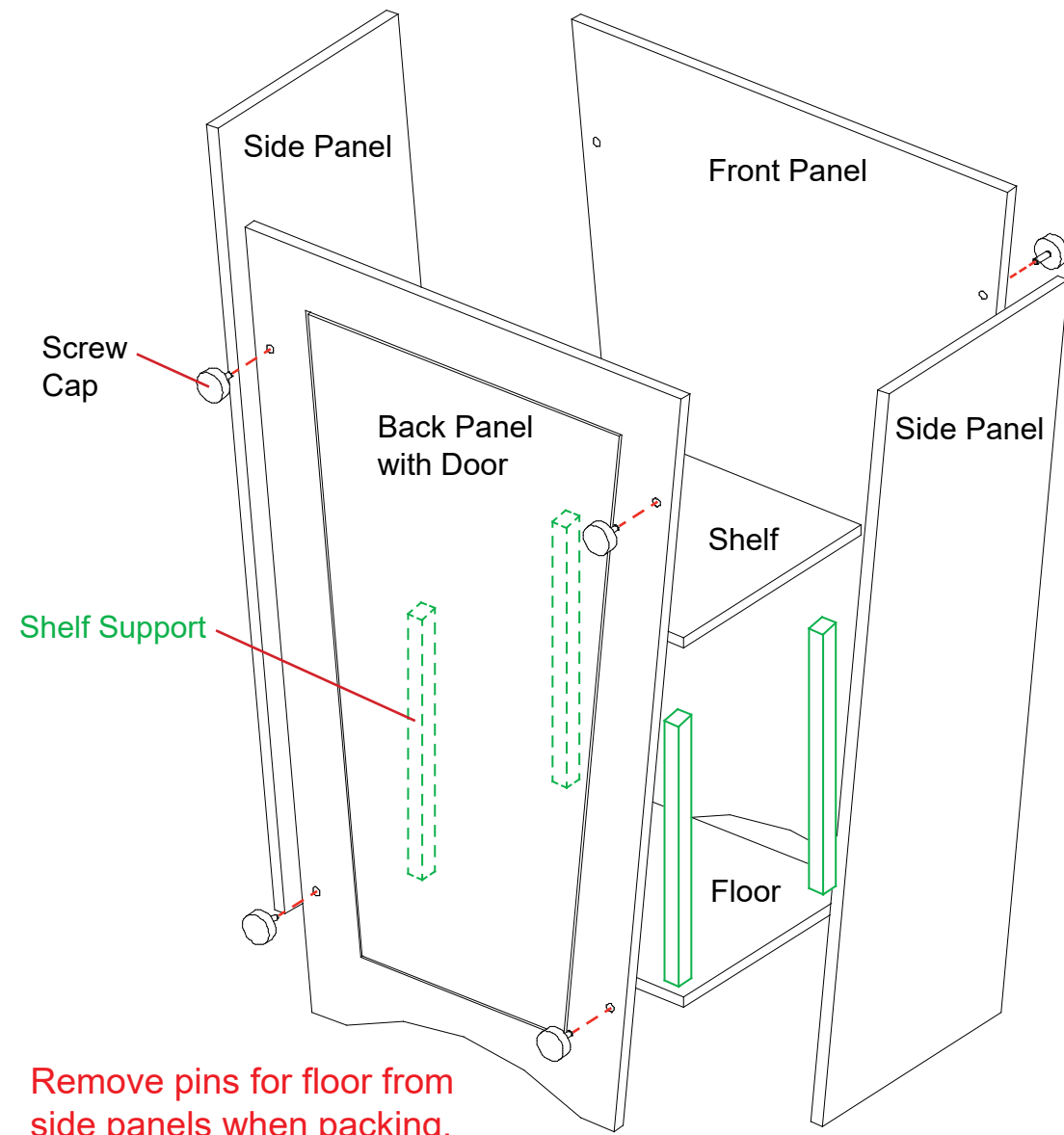
To Power Transformer Puck Light

*** Bolt & Wing Nut Connection**

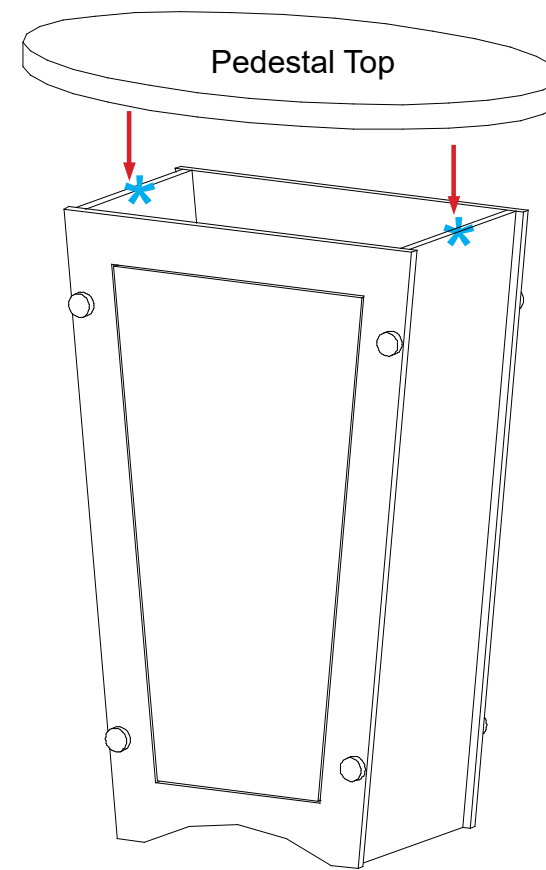
FRONT VIEW

Setup Instructions:

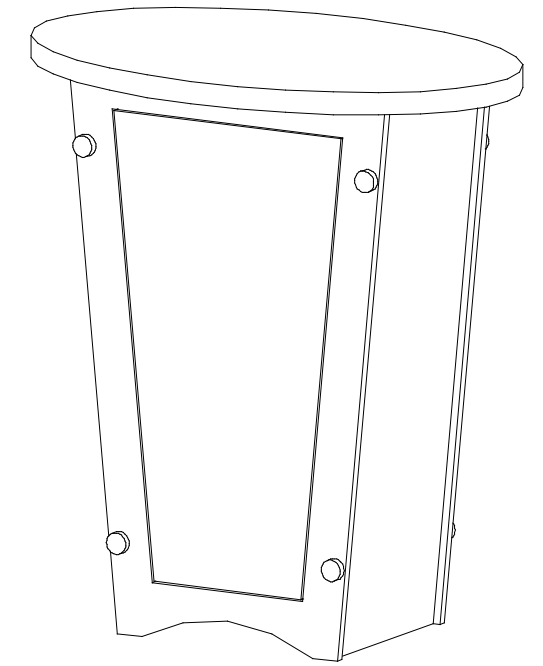
- 1) Attach pins at bottom interior of side panels. *Note: Pins are designed to be slightly angled.*
- 2) Use screw caps to secure the side panels to front panel and back panels, making sure Velcro is facing inward.
- 3) Slide floor into the bottom of assembled pedestal base. The floor will sit on pins of the side panels.
- 4) Connect shelf supports to Velcro on panels, then place shelf on top of supports.
- 5) Attach pedestal top to assembled pedestal base. See [Pedestal Top Attachment](#) detail.



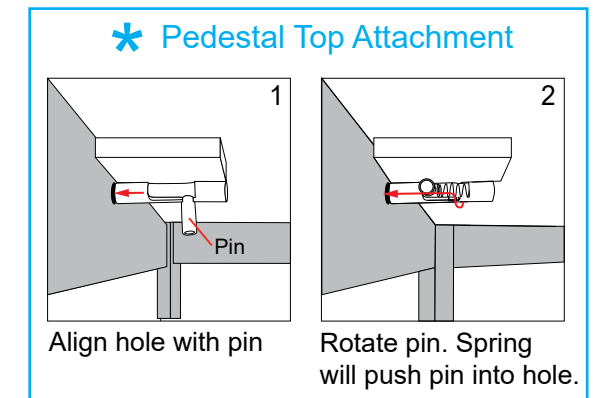
Pedestal Base Assembly



Pedestal Top Attachment



Completed Pedestal Assembly



Steps:

- 1) Attach base plate to post, using bolt.
 - 2) Attach mount plate to top of post, using screw.
 - 3) Attach clamshell to mount plate, using nuts on mounting plate bolt ends.
 - 4) Insert iPad into clamshell, then feed cords through holes.
- NOTE: Mount plate must rotate left and right before installing clamshell.
See [Cord Management for iPad](#) details.

Cord Management for iPad



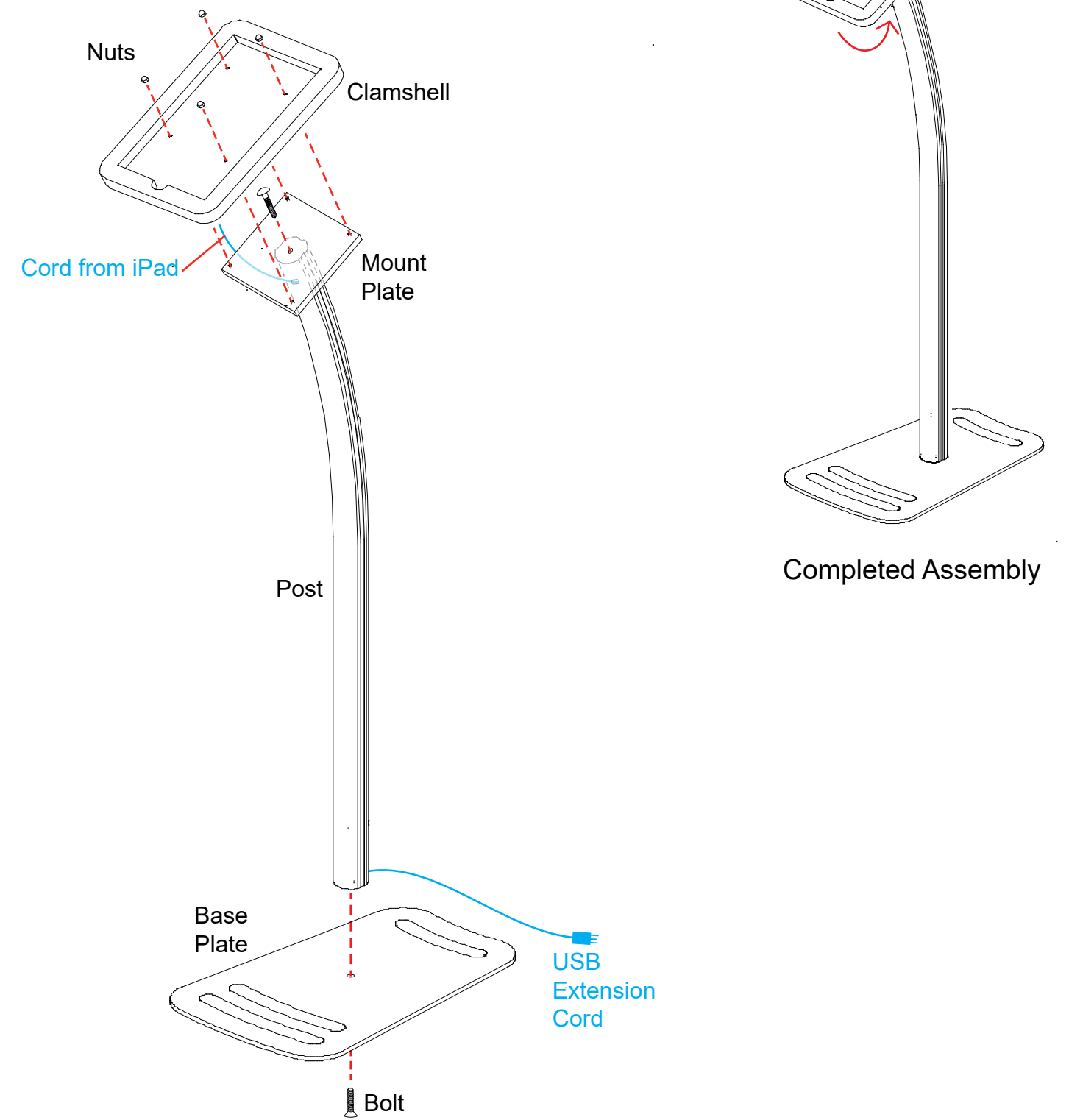

Attach iPad cord to supplied USB extension cord. Feed USB cord through top hole of post, then out bottom hole of post. Feed USB cord through hole in base. connect to power.

Optional Cover for Home Button



- 1) Remove foam lining from inside bottom of Clamshell.
- 2) Attach Home Button Shield with double-sided tape to inside of Clamshell, keeping top of shield flush with Clamshell opening.

NOTE: This is a permanent fix and can't be easily removed.



Completed Assembly