

General Setup Instructions

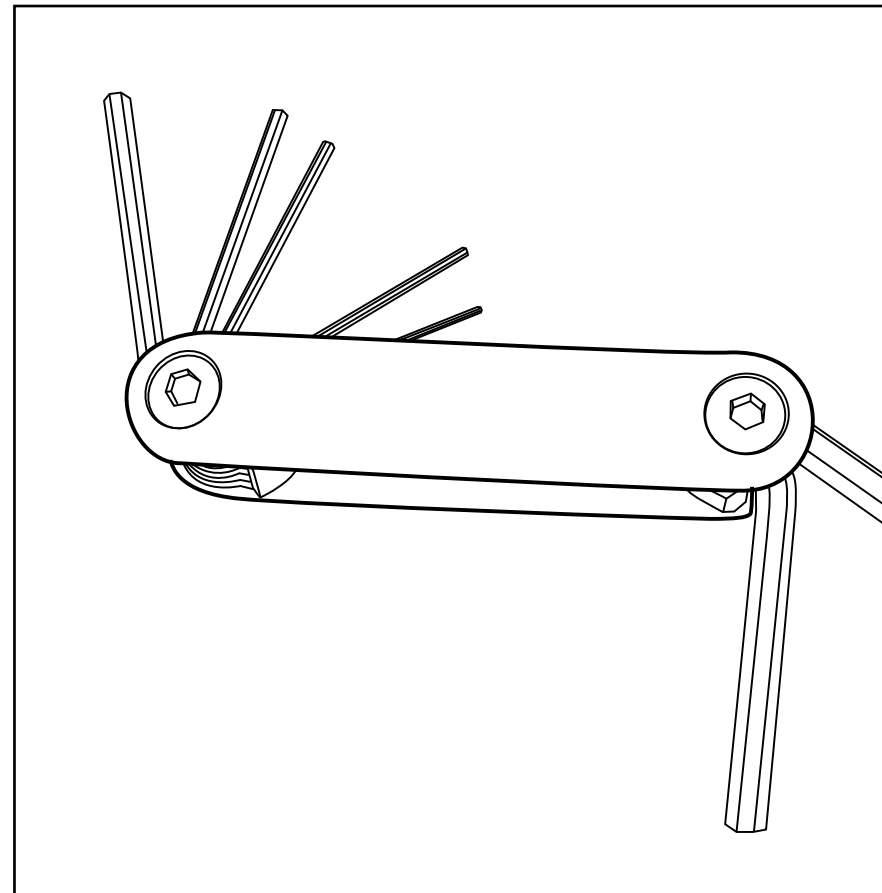
- The setup instructions are created specifically for your configuration.
- Setup instructions are laid out sequentially in levels, including exploded views and a logical series of steps for assembly. We encourage you to study the instructions before attempting to assemble your exhibit.

Cleaning and Packing

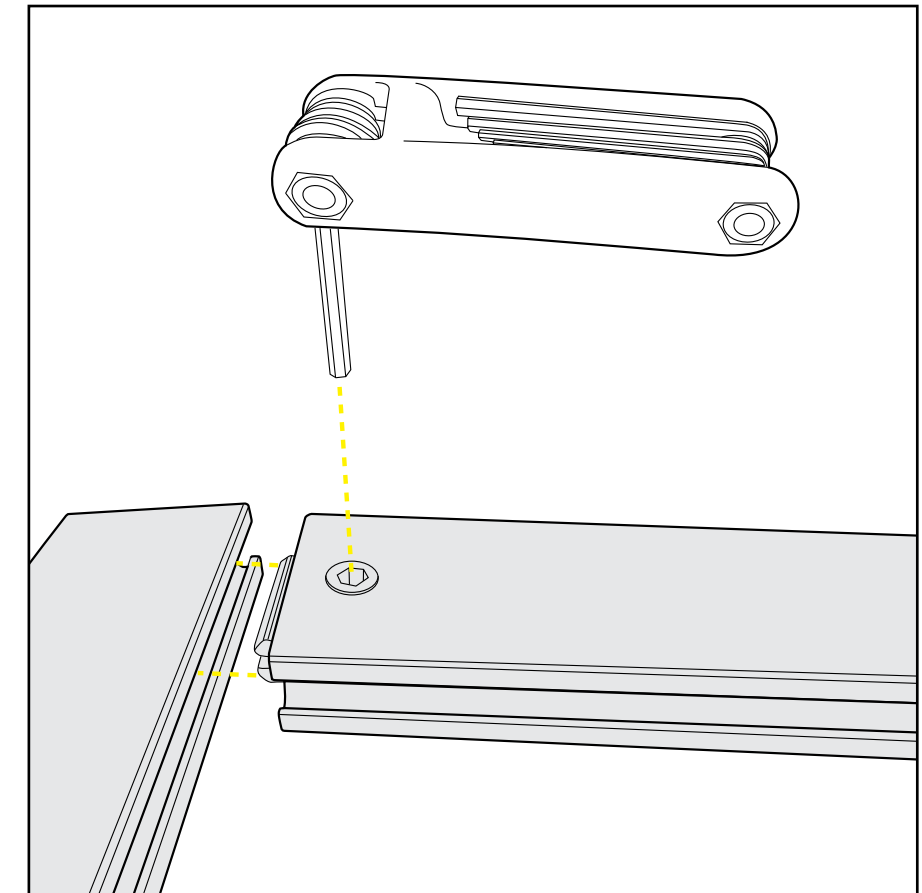
- Use non-abrasive cleaners when cleaning extrusions or ECO Glass inserts.
- Use mild cleaners and soft materials such as cotton to clean all laminates.
- Keep exhibit components away from extreme heat and long exposure to sun light. This will prevent warping and fading.
- Retain all packing material for ease of re-packing. This protects the exhibit components and keeps each part organized.

Disassembling

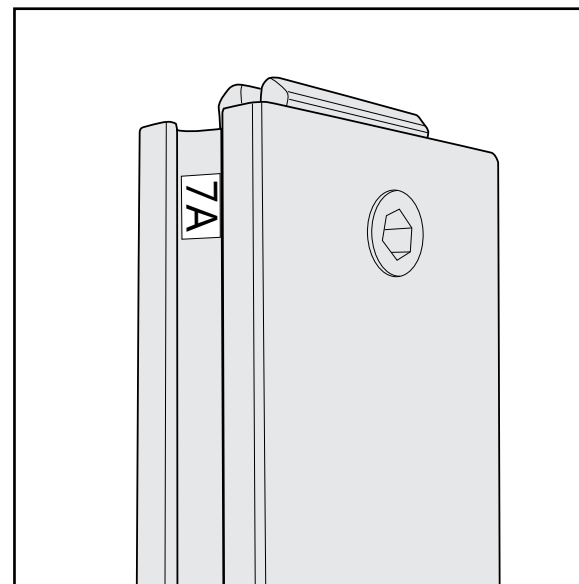
- When disassembling exhibit, tighten all setscrews to prevent loss of hardware in the shipping process.



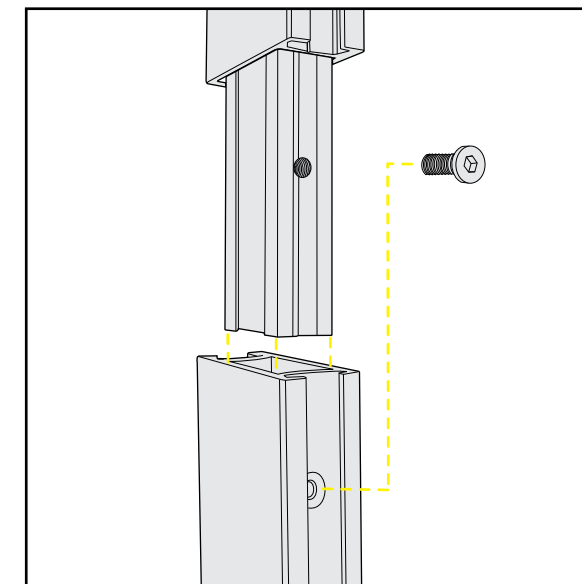
Hex Tool for Assembling Exhibit



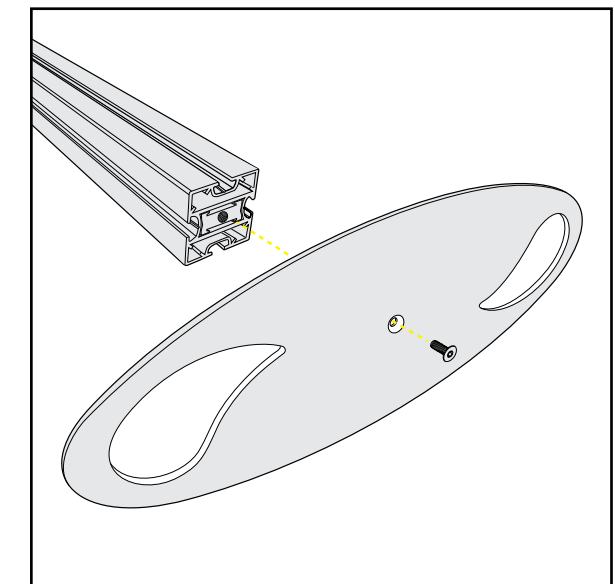
Extrusion Lock Connectors



Numbering Instructions for Setups/Packing

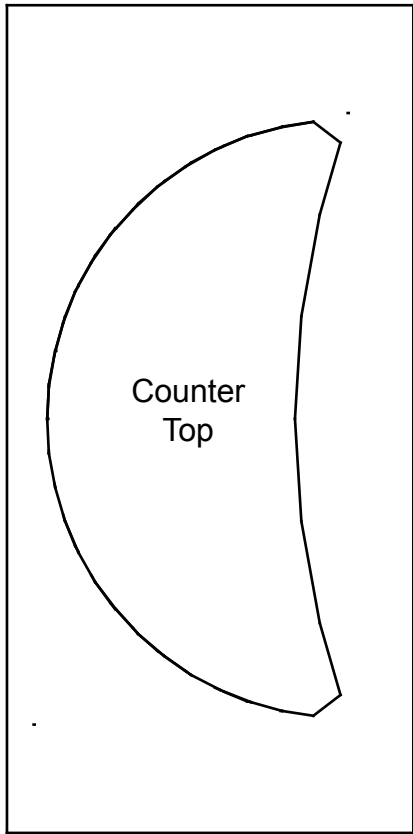


Inline Connection between Extrusions

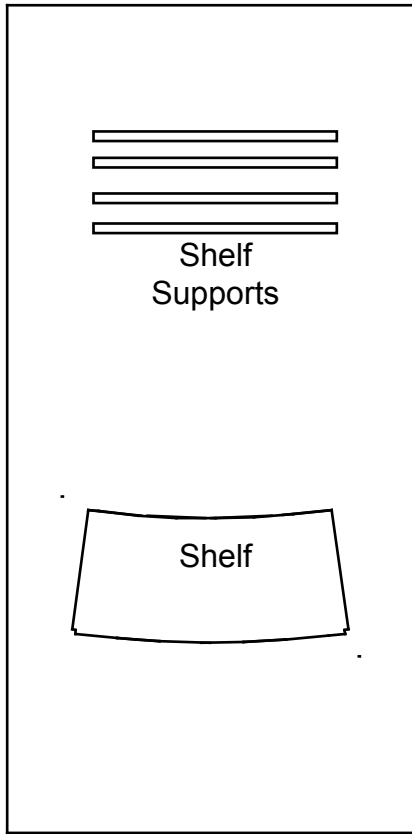


Baseplate Connection for Vertical Extrusions

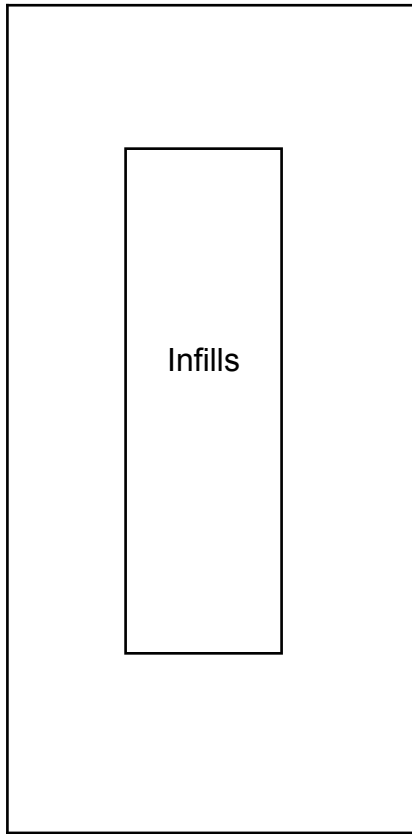
Top View of Each Level



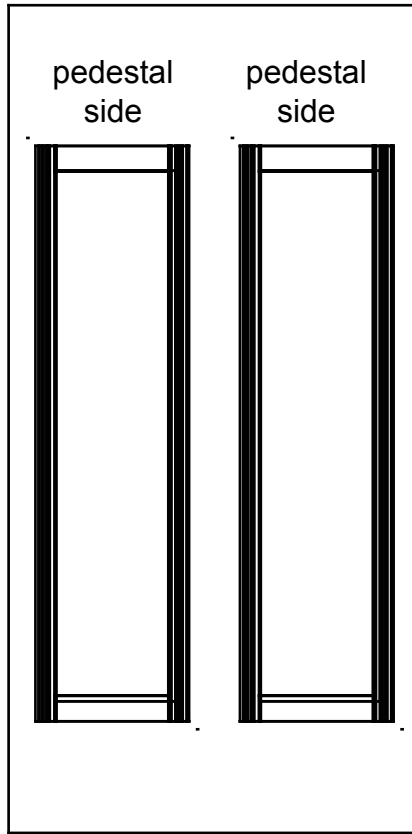
Level 1



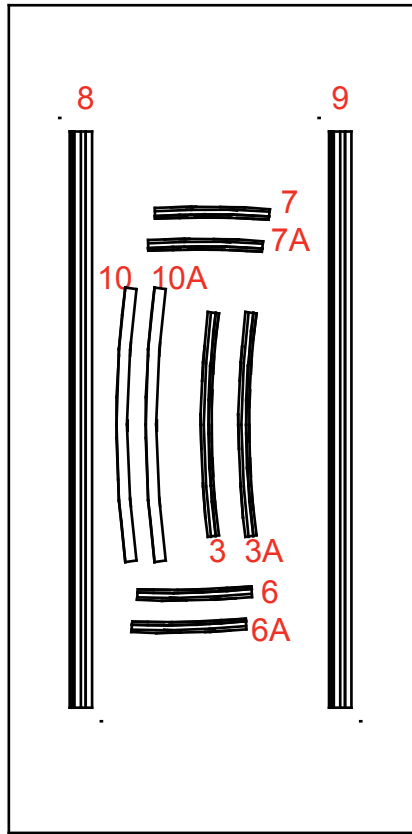
Level 2



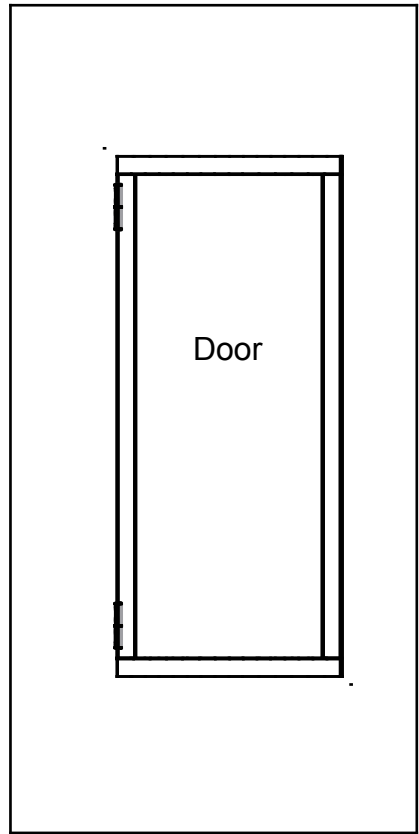
Level 3



Level 4



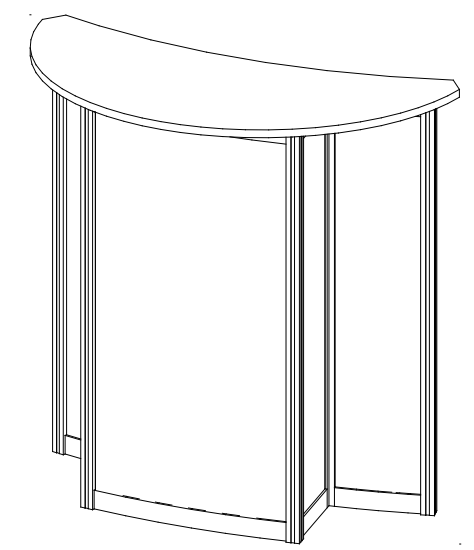
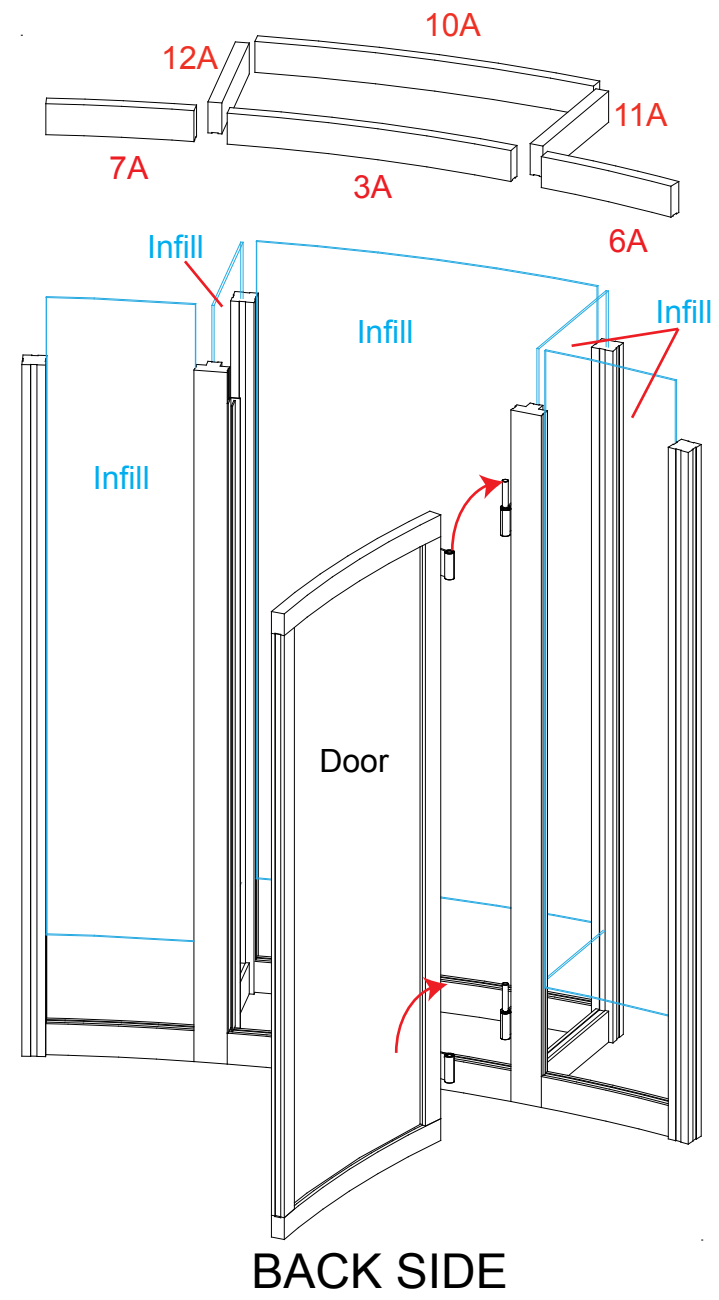
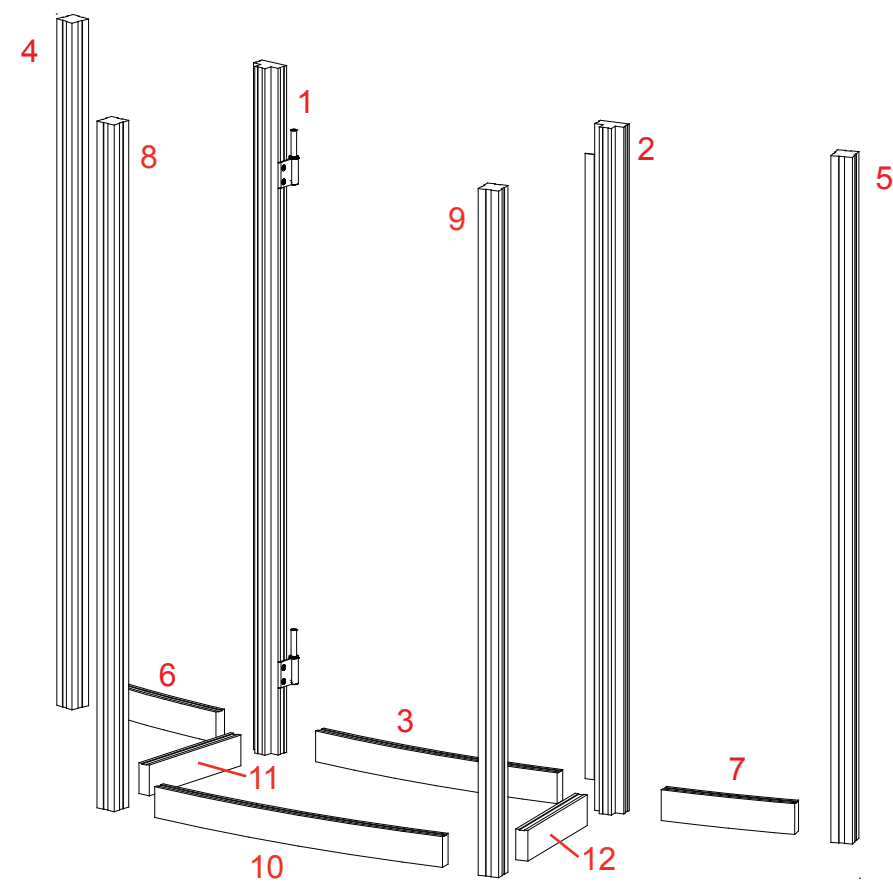
Level 5



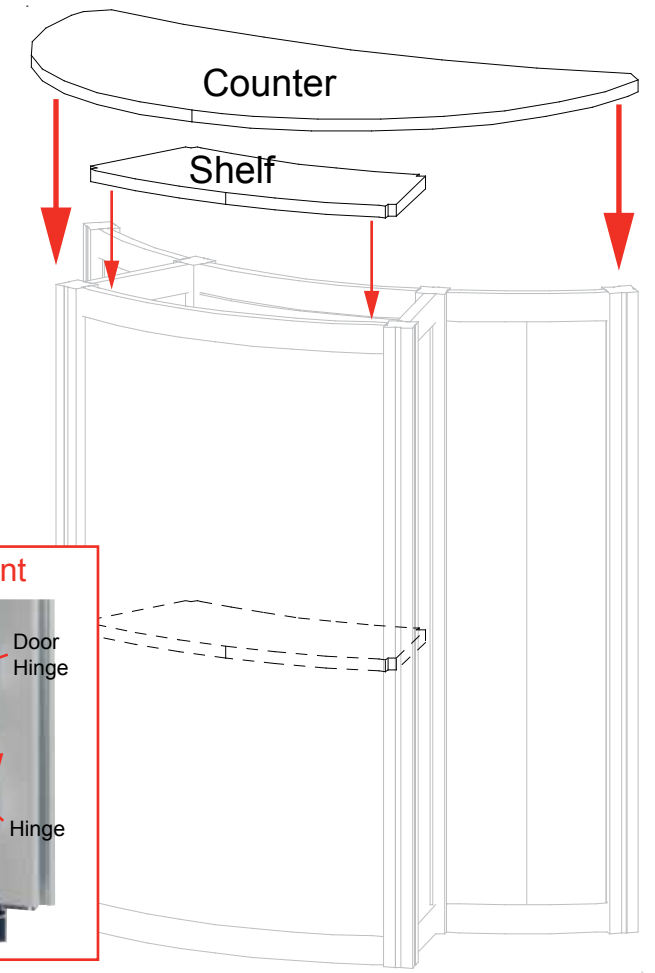
Level 6

Item	Qty.	Description
1	1	40”h GS300 Vertical Extrusion
2	1	40”h GS300 Vertical Extrusion
3/3A	1/1	16.018”w Z45 curved Horizontal Extrusion
4	1	40”h S40 Vertical Extrusion
5	1	40”h S40 Vertical Extrusion
6/6A	1/1	8”w Z45 curved Horizontal Extrusion
7/7A	1/1	8”w Z45 curved Horizontal Extrusion
8	1	40”h S40 Vertical Extrusion
9	1	40”h S40 Vertical Extrusion
10/10A	1/1	19.124”w Z45 curved Horizontal Extrusion
11/11A	1/1	8”w Z45 Horizontal Extrusion
12/12A	1/1	8”w Z45 Horizontal Extrusion

- Steps:
- 1) Connect lower horizontal extrusions [3,6,7,10,11,12] between vertical extrusions [1,2,4,5,8,9] as shown.
 - 2) Slide **infills** between vertical extrusions.
 - 3) Attach upper horizontals [3A,6A,7A,10A,11A,12A] between vertical extrusions [1,2,4,5,8,9], securing infills.
 - 4) Hang door from hinges on vertical [1].
 - 5) Attach shelf supports to inside assembly and place internal shelf on top of shelf supports.
 - 6) Place Counter Top on assembled pedestal.



When Assembled



*** Door Attachment**

Slide pin into hinge attached to vertical. Slide door hinge over pin.